

ALUMINIUM CABINET ALKOR KOLOM

Installation

ATTENTION!

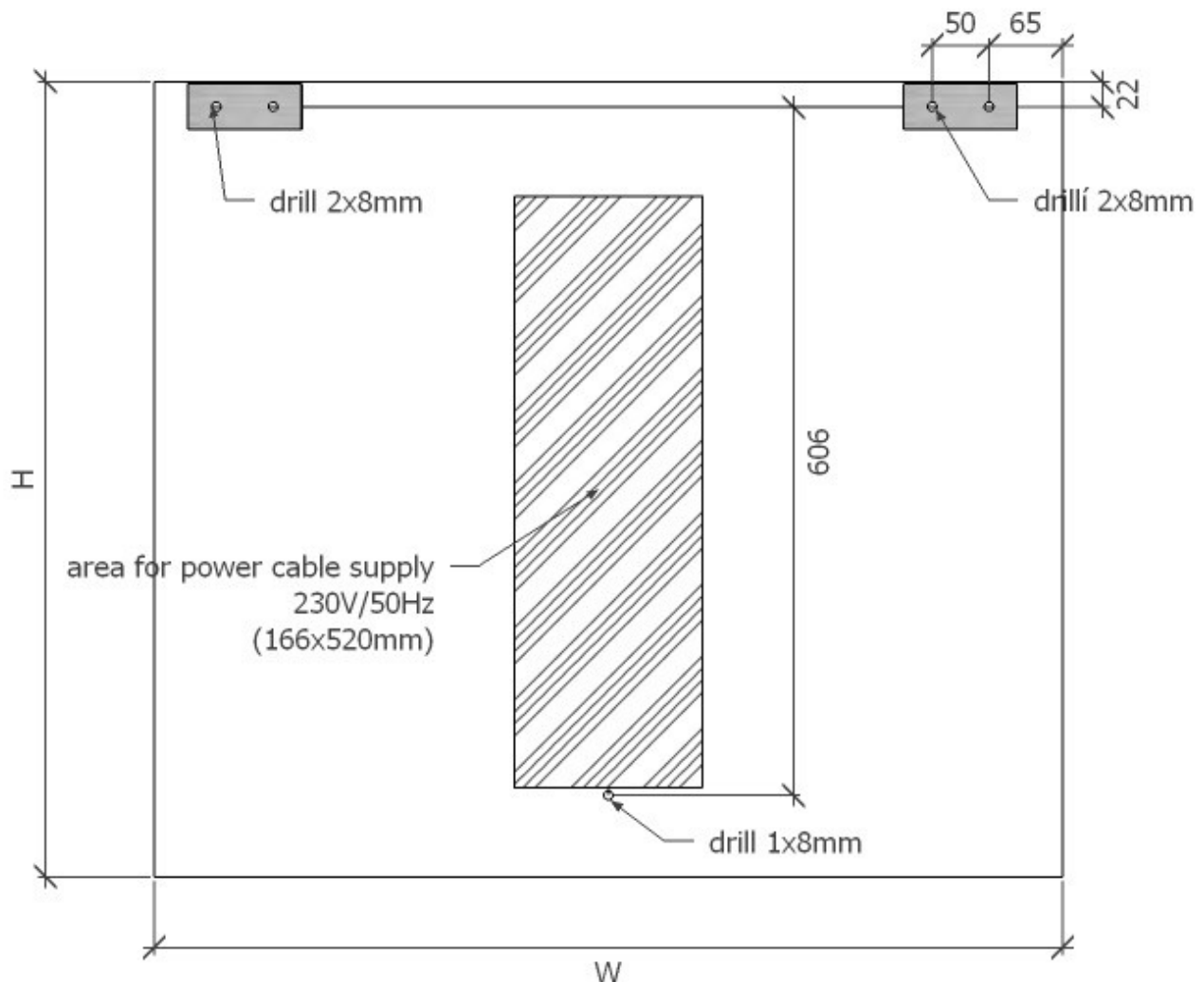
Work on electrical equipment may be performed only by authorized electricians according to local regulations!

Do this only when the circuit breaker on the power cable is switched off!

Assembly is recommended with the participation of at least 2 installers!

The supplied installation material is intended for masonry from solid bricks and concrete blocks. For hollow masonry, porous concrete and plasterboard, another suitable installation material must be used!

DRAWING FOR DRILLING ON THE WALL



Operation	Necessary tools	Note
1. Unpack the box in the lying position as instructed on the box	KNIFE	
2. Draw the drill holes on the wall according to the drawing	TAPE-MEASURE LEVEL PENCIL	Drawing for drilling
3. Drill and fasten the mounting plates	DRILL LEVEL CROSS SCREWDRIVER	2 pc
4. Remove the front / central mirror from the cabinet	CROSS SCREWDRIVER	2 screws on ceiling and bottom panel
5. Hang the cabinet on the wall		
6. Fix the cabinet by the screw with a washer at the bottom of the cabinet (5th hole)	CROSS SCREWDRIVER	through rubber bushing (do not remove the bushing!)
7. Install the lamp on the cabinet	IMBUS SCREWDRIVER	2-4 screws according to used lamp
8. Connect the lamp to the 12V terminal box		According to label below the terminal
9. Connect the power cable to the 230V terminal box		According to label below the terminal
10. Connect the mirror control unit (cable 1)		Connector MOLEX
11. Connect the temperature and humidity sensor (cable 2)		Micro-connector
12. Fit the front / central mirror and fasten by the screws	CROSS SCREWDRIVER	2 screws on ceiling and bottom panel
13. Remove all protective features on the body, the door, and the mirrors		
14. Continue by setting the time and other functions on the mirror controller		According to USER MANUAL ALKOR KOLOM

